

Presence detector - Professional Line

# IS 3360

COM1 - surface, rd. white

EAN 4007841 033446

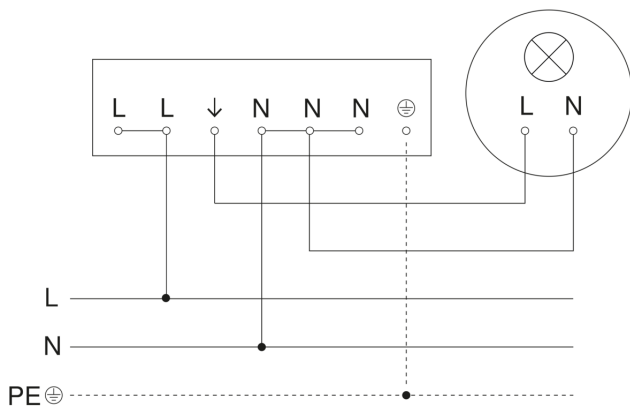
Article number 033446



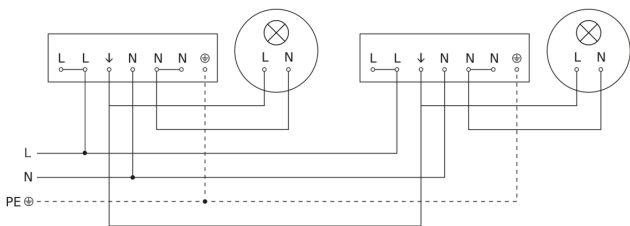
# IS 3360

COM1 - surface, rd. white  
EAN 4007841 033446  
Article number 033446

## Circuit diagram



## Circuit diagram for interconnecting several sensors

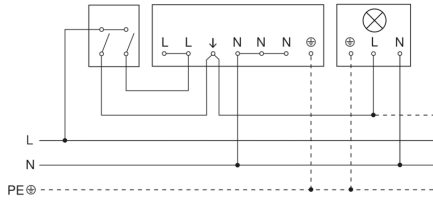


# IS 3360

COM1 - surface, rd. white  
EAN 4007841 033446  
Article number 033446



## Connection using two-circuit switch for manual and automatic operation



## Circuit diagram Connection via a changeover switch for continuous and automatic operation

